



# J-1939 Hourmeter with Snap-In case



**SAE J1939**

Designed to SAE specifications. The Faria Beede Snap-In instruments provide a Heavy Duty instrument in a easy to install push-in case manufactured in the USA.


No back clamp, washers, nuts or tools are required to install the gauge into your panel.

With its patented mounting design the Snap-In J-1939 Hourmeter is designed to install easily and reduce costs. Simply push through the mounting hole. The case springs out to hold your gauge in place.

## Features and Benefits

- Custom icon configurations available
- SAE J-1939 CAN protocol support
- Nylon cases for corrosion resistance and long life
- No hassle mounting - reduces installation time

Faria Beede Instruments, Inc.  
P. O. Box 983  
Uncasville, CT 06382  
860.848.9271  
Fax: 860.848.2704

 Made in the USA

fm-001-0120 rev C 04/2017

[www.FariaBeede.com](http://www.FariaBeede.com)

## Environmental Specifications

- Shock (Non-operating):  
50 +/- 2 G and a half sine duration of 11 +/- 2ms. per MIL-STD-202, Method 213
- Vibration (Non-operating):  
4 G peak, 10 to 200Hz  
SAE J1455 Appendix A
- Temperature:  
Operating: -40°C to 85°C  
Storage: -40°C to 85°C 50% RH
- Humidity:  
95% relative humidity @110°F (43°C) non-condensing
- Salt Spray:  
Front is Corrosion resistant per ASTM B117-73

## Electrical Specifications

- Reverse Polarity Protection:  
Standard entire system
- Load Dump:  
Meets SAE J1113, 3 positive 80V transients one minute intervals
- Operating Voltage:  
18-32 VDC standard
- Over Voltage:  
Withstands 18V continuously for one hour
- Output Signal Switching:  
150 mA Max.
- LCD:  
Transflective FSTN dot matrix  
positive image mode standard  
6:00 O'Clock viewing angle  
LED illuminated. Color, white

## Mechanical

- Bezel Material:  
Stainless steel or aluminum  
Finish, customer specified
- Case:  
White thermoplastic copolymer
- Dial:  
Textured finish polymer  
Opaque characters & background
- Sealing:  
IP 67 compliant

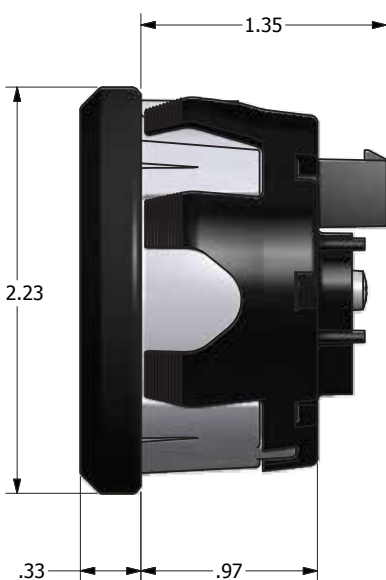
## Wiring Connections

Molex Connector	
Pin Number	Connection Name
1	Ground
2	N/C
3	12/24v Ignition
4	N/C
5	J1939 (Shield)
6	J1939 (+) CAN - H
7	J1939 (-) CAN - L
8	N/C

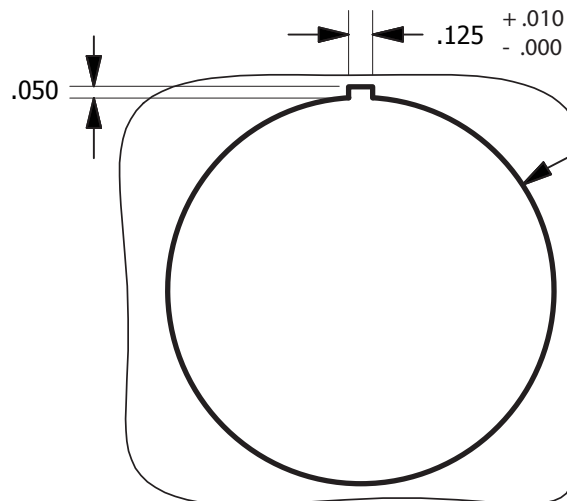


8	7	6	5
4	3	2	1

## Product Outline Drawing



Patented Design



Recommended Mounting Hole  
 $\varnothing 2.005 \pm .005$   
 Panel Thickness - .080 to .100  
 $\varnothing 2.032 \pm .010$   
 Panel Thickness - .125 to .187