



Digital Hourmeter with Snap-In case



The Digital Hourmeter starts recording Engine Running Only hours when the voltage is measured above 12.8 VDC. The Faria Beede Snap-In instruments provide a Heavy Duty instrument in a easy to install push-in case manufactured in the USA.

No back clamp, washers, nuts or tools are required to install the gauge into your panel.

With its patented mounting design the Snap-In Digital Hourmeter is designed to install easily and reduce costs. Simply push through the mounting hole. The case springs out to hold your gauge in place.

Features and Benefits

- Engine Running Only Hourmeter
- Nylon cases for corrosion resistance and long life
- No hassle mounting - reduces installation time

Faria Beede Instruments, Inc.
P. O. Box 983
Uncasville, CT 06382
860.848.9271
Fax: 860.848.2704



Made in the USA

fm-001-0143 rev A 08/2016

www.FariaBeede.com

Specifications

Environmental Specifications

Shock (Non-operating):
 50 +/- 2 G and a half sine duration of 11
 +/- 2ms. per MIL-STD-202, Method 213

Vibration (Non-operating):
 4 G peak, 10 to 200Hz
 SAE J1455 Appendix A

Temperature:
 Operating: -40°C to 85°C
 Storage: -40°C to 85°C 50% RH

Humidity:
 95% relative humidity @110°F (43°C) non-condensing

Salt Spray:
 Front is Corrosion resistant per ASTM B117-73

Electrical Specifications

Reverse Polarity Protection:
 Standard entire system

Load Dump:
 Meets SAE J1113, 3 positive 80V transients
 one minute intervals

Operating Voltage:
 9-32 VDC standard

Over Voltage:
 Withstands 36VDC for five minutes

LCD:
 Transflective FSTN dot matrix
 positive image mode standard
 6:00 O'Clock viewing angle

Mechanical

Bezel Material:
 Stainless steel

Case:
 White thermoplastic copolymer

Dial:
 Textured finish polymer
 Opaque characters & background

Sealing:
 IP 67 compliant

This hourmeter can not be reset to zero nor hours removed once they have been recorded.
 There is to be no available method for re-setting the hours on this device

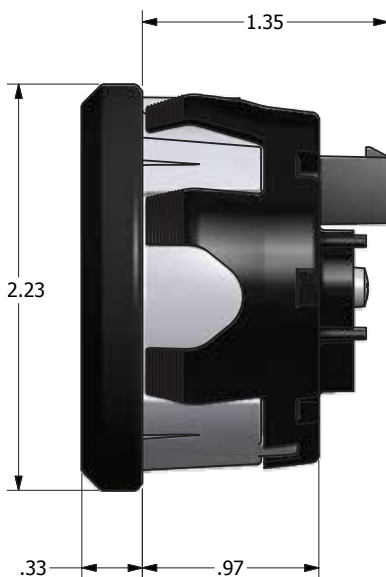
Wiring Connections

Molex Connector	
Pin Number	Connection Name
1	Ground
2	N/C
3	12/24v Ignition
4	N/C
5	N/C
6	N/C
7	N/C
8	N/C



8	7	6	5
4	3	2	1

Product Outline Drawing



Patented Design

